

**Z4EGP20MH**

● **FEATURES**

- \* Halogen-free type
- \* Internal structure with GPRC (glass passivated rectifier chip) inside
- \* Compliance to RoHS product
- \* Lead less chip form, no lead damage
- \* Low power loss, High efficiency
- \* High current capability
- \* Plastic package has Underwriters Laboratory Flammability Classification 94V-0

● **APPLICATION**

- \* AC/DC Power Supply
- \* Communication Equipment

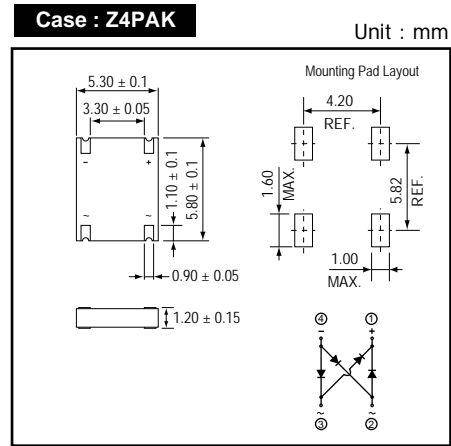
● **MECHANICAL DATA**

**Case :** Packed with FRP substrate and epoxy underfilled  
**Terminals :** Pure Tin plated (Lead-Free), solderable per MIL-STD-750, Method 2026.  
**Polarity :** Laser marking symbols

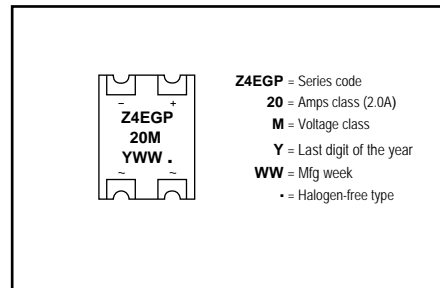
● **PACKING**

- \* 5,000 pieces per 13" (330mm ± 2mm) reel
- \* 2 reels per box
- \* 5 boxes per carton

● **OUTLINE DIMENSIONS**



● **MARKING**



**Absolute Maximum Ratings (Ta = 25 °C)**

ITEM	Symbol	Conditions	Rating	Unit
Repetitive peak reverse voltage	VRRM		1000	V
Average forward current	IF(AV)		2.0	A
Peak forward surge current	IFSM	8.3ms single half sine-wave	50	A
Reverse recovery time	Trr	IF = 0.5A, IR = 1.0A, Irr = 0.25A	75	nS
Operating junction and storage temperature Range	Tj, TSTG		-65 to +175	°C

**Electrical characteristics (Ta = 25 °C)**

ITEM	Symbol	Conditions	Min.	Typ.	Max.	Unit
Forward voltage	VF	IF = 2.0A	-	1.30	1.70	V
Repetitive peak reverse current	IRRM	VR = Max. VRRM, Ta = 25 °C	-	0.06	5	uA
Current squared time	I <sup>2</sup> t	t < 8.3ms, Ta = 25 °C	-	10.4	-	A <sup>2</sup> s
Thermal resistance	Rth(JA)	Junction to ambient (NOTE)	-	125	-	°C/W
	Rth(JC)	Junction to case (NOTE)	-	45	-	

NOTES : (1) Thermal resistance, measured on PC board with recommended land areas.  
 (2) Preliminary specification.

FIG.1 - FORWARD CURRENT DERATING CURVE

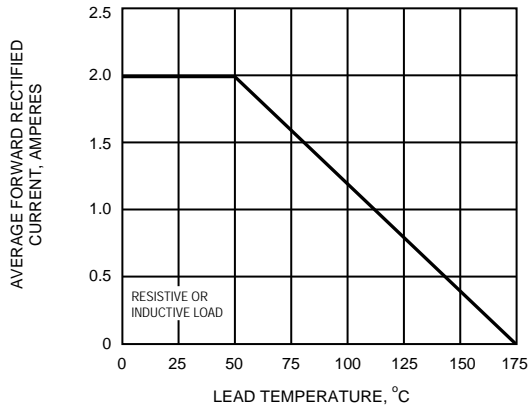


FIG.2 - MAXIMUM NON-REPETITIVE PEAK FORWARD SURGE CURRENT

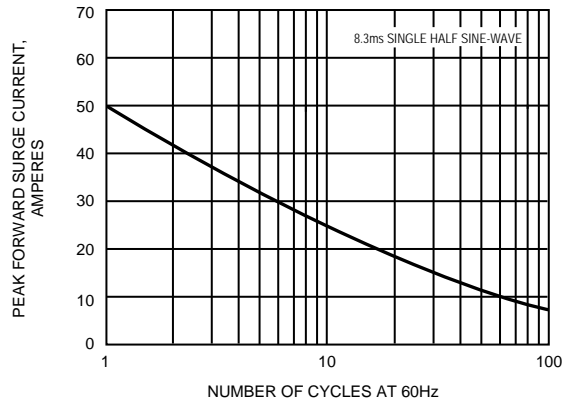


FIG.3 - TYPICAL INSTANTANEOUS FORWARD CHARACTERISTICS

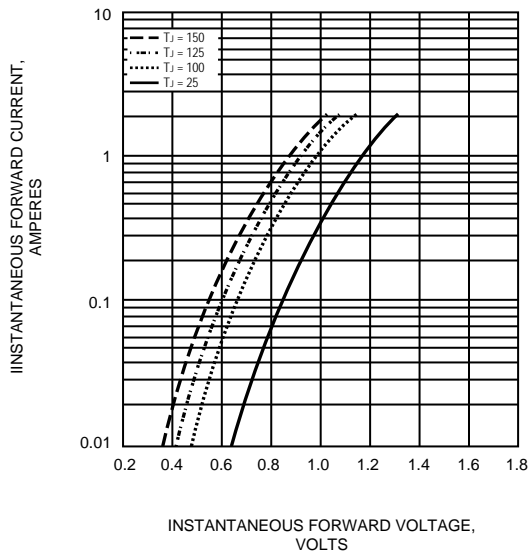


FIG.4 - TYPICAL REVERSE CHARACTERISTICS

